

PRODUCT CODE: CS28
CHANNEL SPRING NUT



DESCRIPTION

M6 Long Spring Nut

FINISH

BZP

MATERIAL

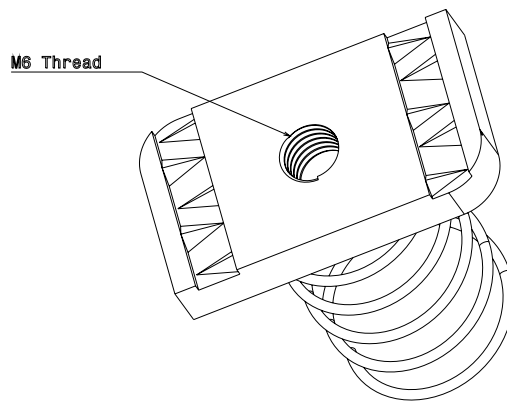
Steel

PACKAGING

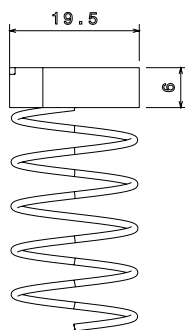
Packed in qty 100

ADDITIONAL NOTES

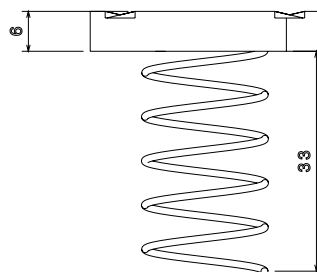
Produced to comply with the requirements of BS6946 Metal Channel Support Systems
For use with 41mm depth channel
Compliant to LU Standard 1-085 (for use on surface & sub-surface locations)



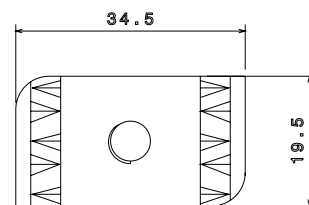
Isometric view



Front view



Side view



Top view